

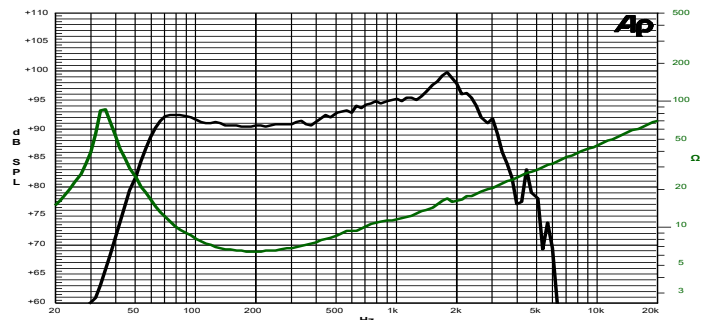
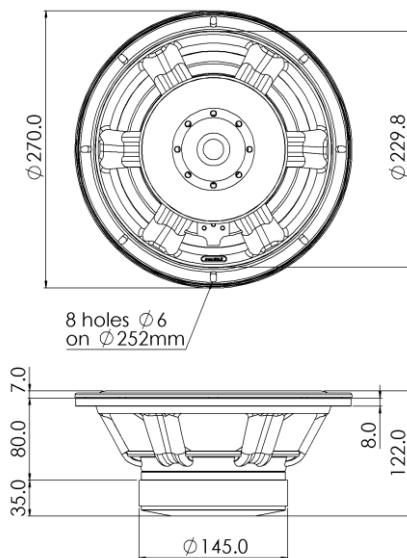
10 SR 2,5 CP 8Ω

10" | 600 W

Code **Z006013**

Subwoofer

- 2.5" 2.5" voice coil Fiberglass former
- RHE High Excursion Rubber surround
- WpT Waterproof Cone Treatment
- HeF High Excursion Ferrite Magnet Circuit
- VMVc Ventilated Magnet and Voice Coil to reduce Power Compression
- 93.0 dB sensitivity
- 35-2000 Hz Frequency Range



Frequency Response on 35 Lt @ 60 Hz Vented Box @ 1W, 1m
Free Air Impedance

General Specifications

Nominal Diameter	269 mm (10")
Nominal Impedance	8 Ω
Rated Power AES ⁽¹⁾	300 W
Continuous Program Power ⁽²⁾	600 W
Sensitivity @ 1W/1m ⁽³⁾	93.0 dB
Voice Coil Diameter	65 mm (2.5")
Voice Coil Winding Depth	18 mm
Magnetic Gap Depth	8 mm
Flux Density	1.05 T
Magnet Weight	1430 g
Net Weight	4.8 kg

Thiele & Small Parameters ⁽⁴⁾

R_e	5.2 Ω	F_s	34.5 Hz
Q_{ms}	6.35	Q_{es}	0.34
Q_{ts}	0.32	M_{ms}	56.5 g
C_{ms}	377 μm/N	B_{xl}	13.7 Tm
V_{as}	66.7 l	S_d	353.0 cm ²
$X_{max}^{(5)}$	+/-6.0 mm	$X_{var}^{(6)}$	+/-10.0 mm
η_0	0.78 %	L_e (1kHz)	1.16 mH

Constructive Characteristics

Magnet	Ferrite
Basket Material	Aluminium Die-Cast
Voice Coil Winding Material	Copper
Voice Coil Former Material	Fiberglass
Cone Material	Paper
Cone Treatment	Surface Waterproof Treatment
Surround Material	Rubber
Dust Dome Material	Solid Paper

Mounting Information

Overall Diameter	270 mm
Baffle Cutout Diameter	232 mm
Mounting Holes	8 holes ø6 on ø252 mm
Total Depth	122 mm

⁽¹⁾ Rated Power measured with 2-hour test with pink noise signal, 6dB crest factor, loudspeaker in free air, power calculated on rated Zmin. ⁽²⁾ Power on Continuous Program is defined as 3dB greater than the Rated Power. ⁽³⁾ Calculated by Thiele & Small parameters, for SPL average in box refer to frequency response. ⁽⁴⁾ Thiele & Small parameters measured with laser system after preconditioning test. ⁽⁵⁾ Measured with respect to a THD of 10%. ⁽⁶⁾ Value corresponding to a decay of the Force Factor, or Compliance, or both, equal to the 50% of the small signal value. ⁽⁷⁾ Drawing dimensions: mm.