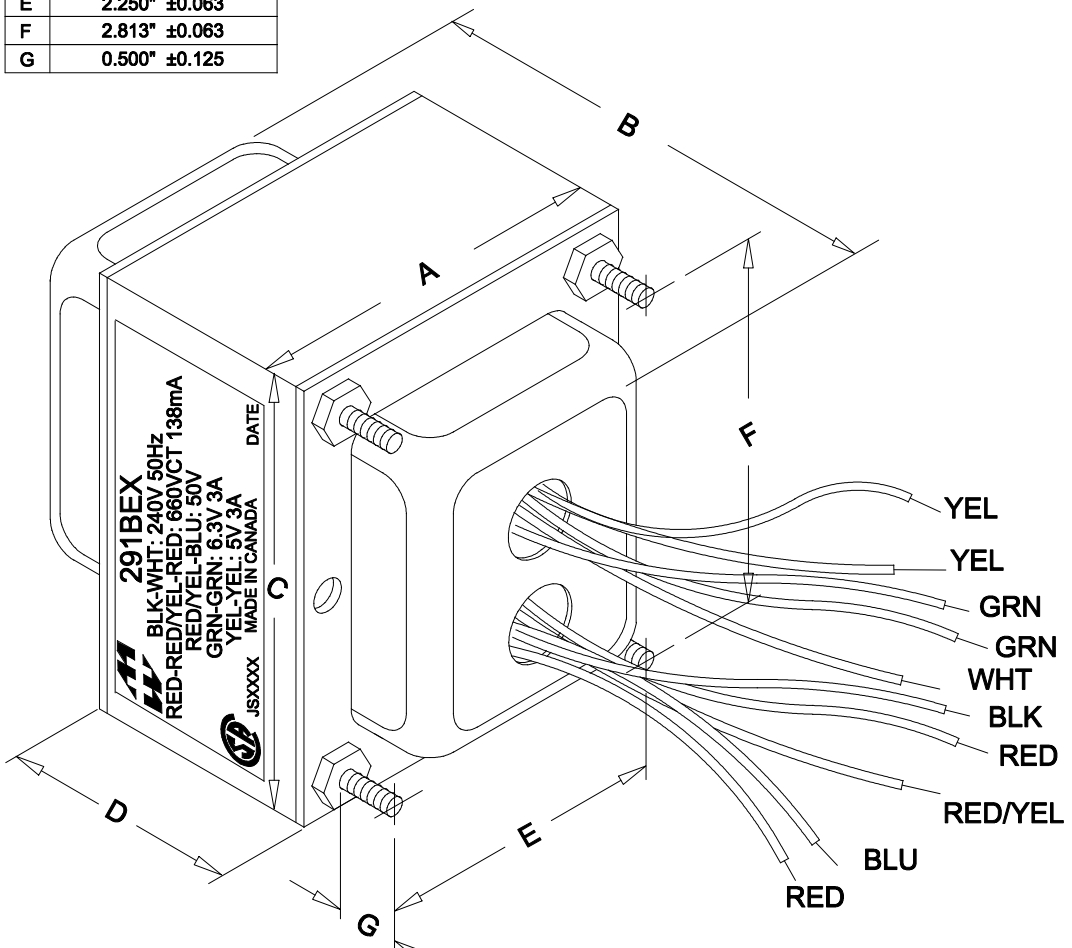
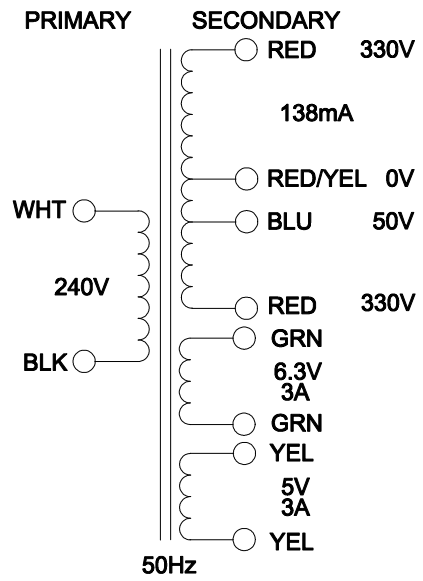


DIMENSIONS:	
A	2.813" ±0.063
B	4.063" ±0.125
C	3.375" ±0.063
D	2.048" ±0.063
E	2.250" ±0.063
F	2.813" ±0.063
G	0.500" ±0.125



291BEX  
 BLK-WHT: 240V 50Hz  
 RED-RED/YEL-RED: 660VCT 138mA  
 RED/YEL-BLU: 50V  
 GRN-GRN: 6.3V 3A  
 YEL-YEL: 5V 3A  
 JSXXXX MADE IN CANADA  
 DATE

NOTE: ALL LEADS 9" MIN. OUT. STRIP 0.5"



ELECTRICAL DATA:		
TESTS	CONDITIONS	ACCEPTANCE CRITERIA
lex	@ 240V, 50Hz, WHT - BLK	151mA Max.
Sec. N.L.V	@ 240V, 50Hz, WHT - BLK	
	RED - RED/YEL = RED/YEL - RED =	350.9V ±2%
	RED/YEL - BLU =	53.43V ±2%
	RED - RED =	701.9V ±2%
	GRN - GRN =	6.792V ±2%
	YEL - YEL =	5.434V ±2%
DCR	@ 20°C, WHT - BLK =	12.57 Ω ±20%
	@ 20°C, RED - RED =	103.4 Ω ±20%
	@ 20°C, GRN - GRN =	0.067 Ω ±20%
	@ 20°C, YEL - YEL =	0.055 Ω ±20%
HIPOT	PRIMARY - SECONDARY	2500V, 60Hz, 1 SEC

REV.#	REVISION	DATE
0	RELEASED.	C.I. 08/13/19

**HAMMOND ELECTRONIC DIVISION**  
**MANUFACTURING** 52 RANKIN PLACE, WATERLOO, ONTARIO, N2J 3Z5  
 PH # (519) 886-6181 FAX # (519) 886-9540

DWG. BY: C. ILIE	CHK'D BY:	TITLE: POWER TRANSFORMER	DWG. NO. 291BEX
DATE: 08/13/19	APP'D. BY:		
	DIMENSIONS: IN(X) MM( )		